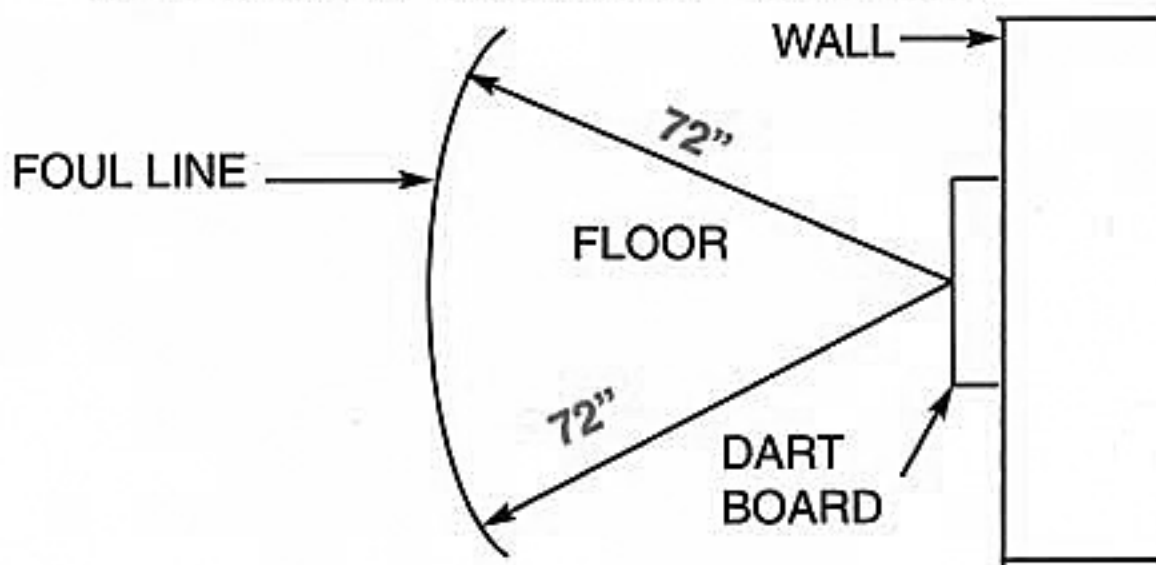
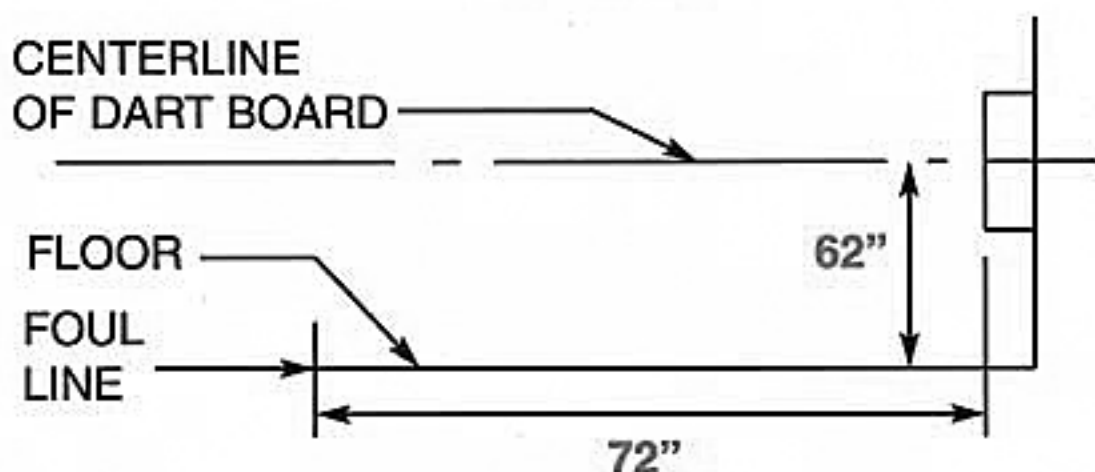


OVERHEAD VIEW  
FOUL LINE IS 72" FROM FACE OF DART BOARD



SIDE VIEW



**RULES OF THE GAME**

**FOR PROPER POSITIONING OF DART BOARD SEE ABOVE**

- Each player has a set of four darts. Four thrown darts equals a turn.
- Five turns by each player constitutes a game.
- The players must keep both feet behind the foul line until all four darts have been thrown.
- Stepping over the foul line will result in a loss of that dart.
- The darts shall not be removed from the board until the scorekeeper has called the score.
- If the darts are removed before the score is called, that player will have to accept the score that is called.
- Tie games are decided by each player throwing four darts. The high score wins.
- The dart board score starting from the outside ring are: 5 - 10 - 15 - 20 - 25 - bullseye 50.